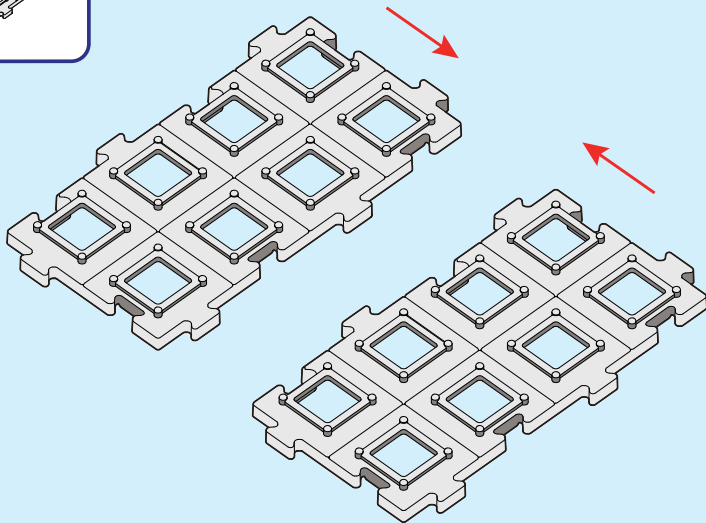
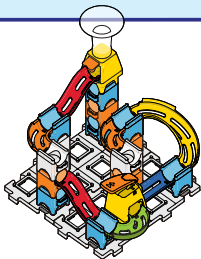


LEVEL

1



1-1



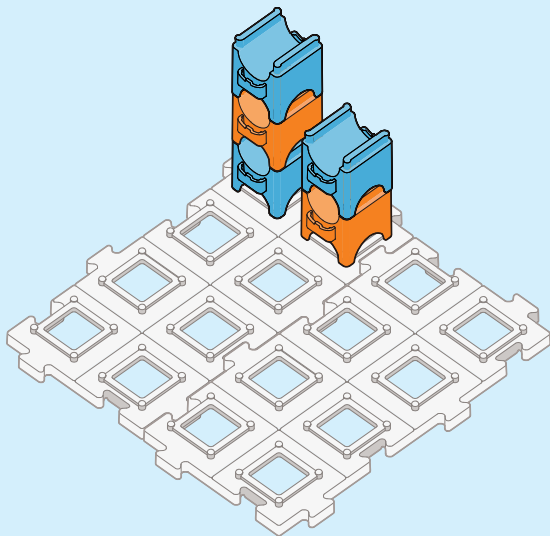
x 3

B-01



x 2

B-02



1-2



x 1

B-01



x 1

B-02



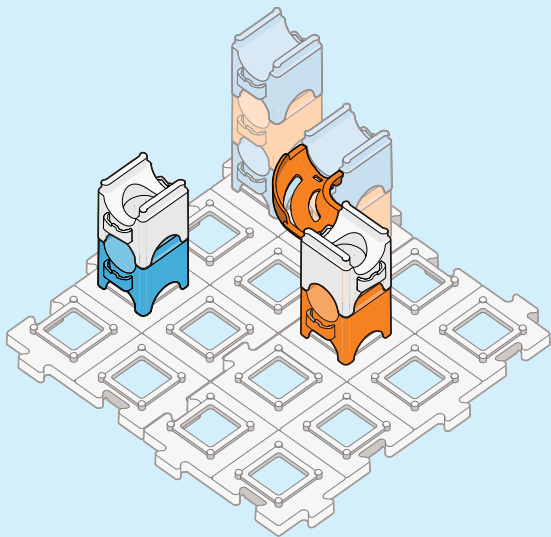
x 2

B-04



x 1

T-03



1-3



x 1

B-01



x 1

M-01



x 1

T-06



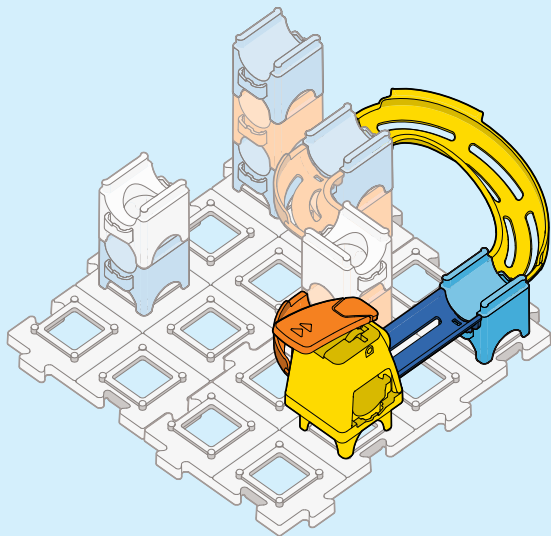
x 1

T-03



T-01

x 1



1-4



x 2

B-01



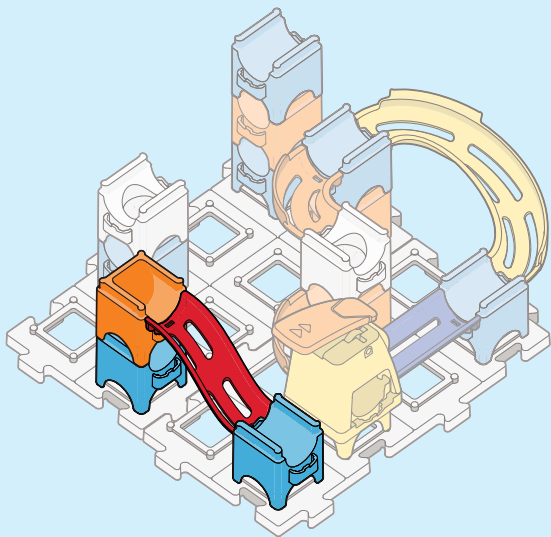
x 1

B-02



x 1

T-08





1-6



x 1

T-05



x 1

M-14



x 1

T-08

